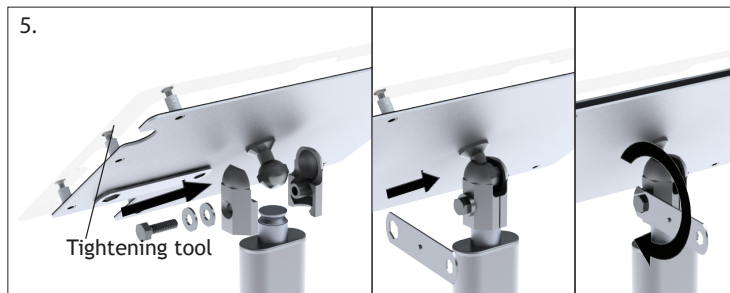
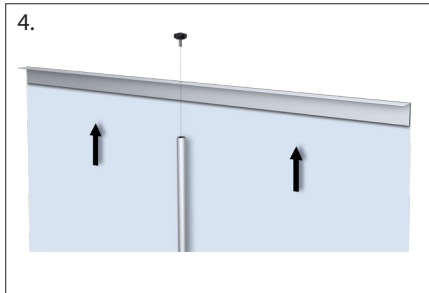
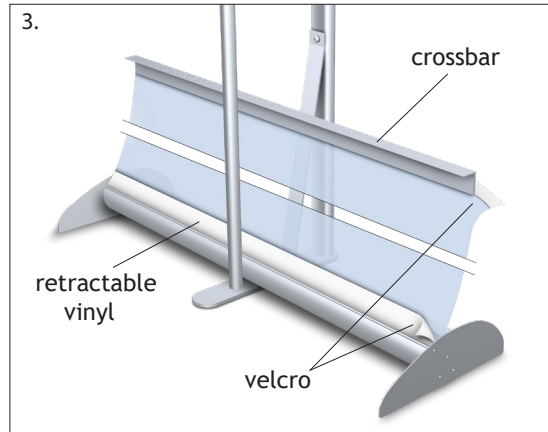
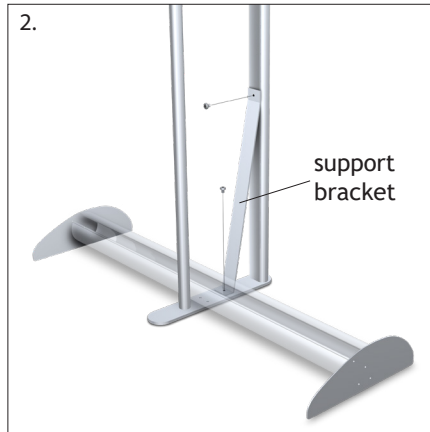
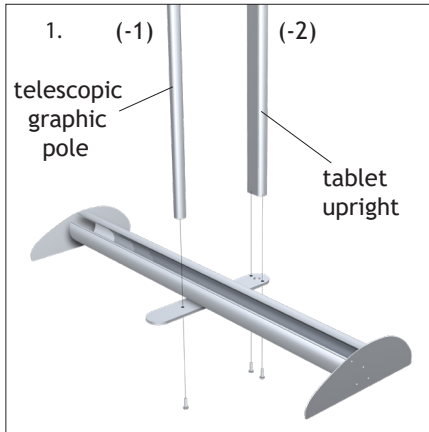


# Hybrid Pro Tablet Retractable™ - IPRY Series

1. Mount telescopic graphic pole to base using Phillips head screw provided. Mount tablet upright to base using two Allen head screws provided. When inserting Allen head screws, tighten BOTH by hand first. Then, fully tighten using an Allen key.
2. Mount support bracket to base and tablet upright using two Phillips head screws provided.
3. Attach graphic to crossbar and retractable vinyl with Velcro hook and loop.
4. Pull crossbar up and mount to top of the telescopic graphic pole using knob. Extend pole and tighten locks to secure at desired height (not shown).
5. Mount tablet holder to upright by sandwiching ball joint in between the collar halves and use large tamper-proof key to screw securely into place.
6. Remove acrylic cover using small tamper-proof key provided. Place tablet inside and reassemble unit.



IPRY1-A-S shown



IPRY1-A-S shown